

# L TIMING PULLEYS

0.375" Trapezoidal Pitch

For 0.500" Wide Belts

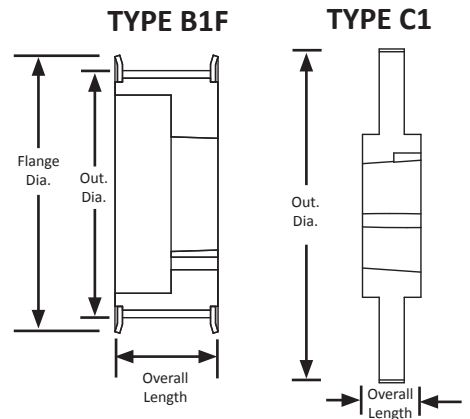
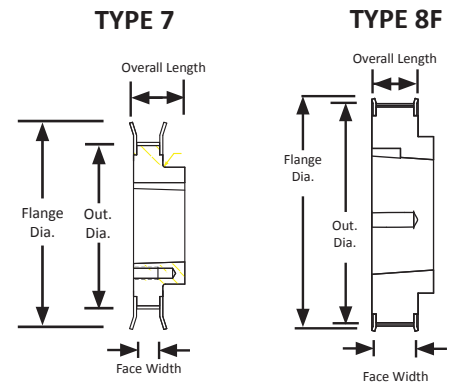
Steel/Iron

Black Oxide Plating

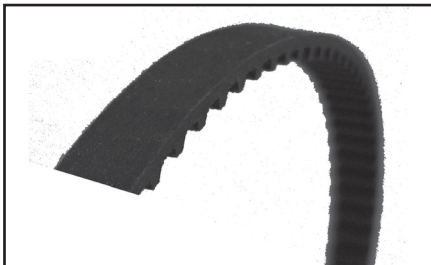
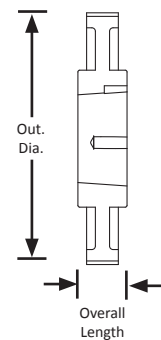
Taper-Lock® style



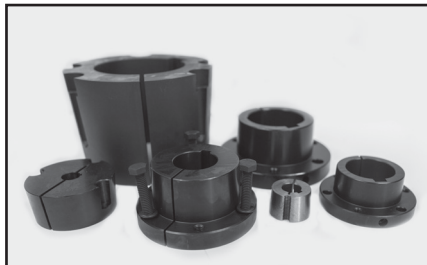
Part Number	No. of Teeth	Type	Pitch Dia. (in)	Out. Dia. (in)	Flange Dia. (in)	Bushing	Face Width (in)	Overall Length (in)
TL18L050-1008	18	8F	2.149	2.119	2.375	1008	0.750	0.875
TL18L050-1108	18	8F	2.149	2.119	2.375	1108	0.750	0.875
TL20L050-1008	20	8F	2.387	2.357	2.625	1008	0.750	0.875
TL20L050-1108	20	8F	2.387	2.357	2.625	1108	0.750	0.875
TL22L050-1008	22	8F	2.626	2.596	2.875	1008	0.750	0.875
TL22L050-1108	22	8F	2.626	2.596	2.875	1108	0.750	0.875
TL24L050	24	8F	2.865	2.835	3.094	1210	0.750	1.000
TL26L050	26	8F	3.104	3.074	3.330	1210	0.750	1.000
TL28L050	28	8F	3.342	3.312	3.566	1210	0.750	1.000
TL30L050	30	8F	3.581	3.551	3.800	1610	0.750	1.000
TL32L050	32	8F	3.820	3.790	4.044	1610	0.750	1.000
TL36L050	36	B1F	4.297	4.267	4.520	1610	0.750	1.000
TL40L050	40	8F	4.775	4.745	4.520	2012	0.750	1.250
TL48L050	48	8F	5.730	5.700	5.950	2012	0.750	1.250
TL60L050	60	7	7.162	7.132	-	2012	0.750	1.250
TL72L050	72	C2	8.594	8.564	-	2012	0.750	1.250
TL84L050	84	C1	10.027	9.997	-	2012	0.750	1.250



TYPE C2



For matching L pitch belts, see page 194.



For matching Taper-Lock® bushings, see page 373.